

YK Tackling Beam

JACKING BEAM

65-110-

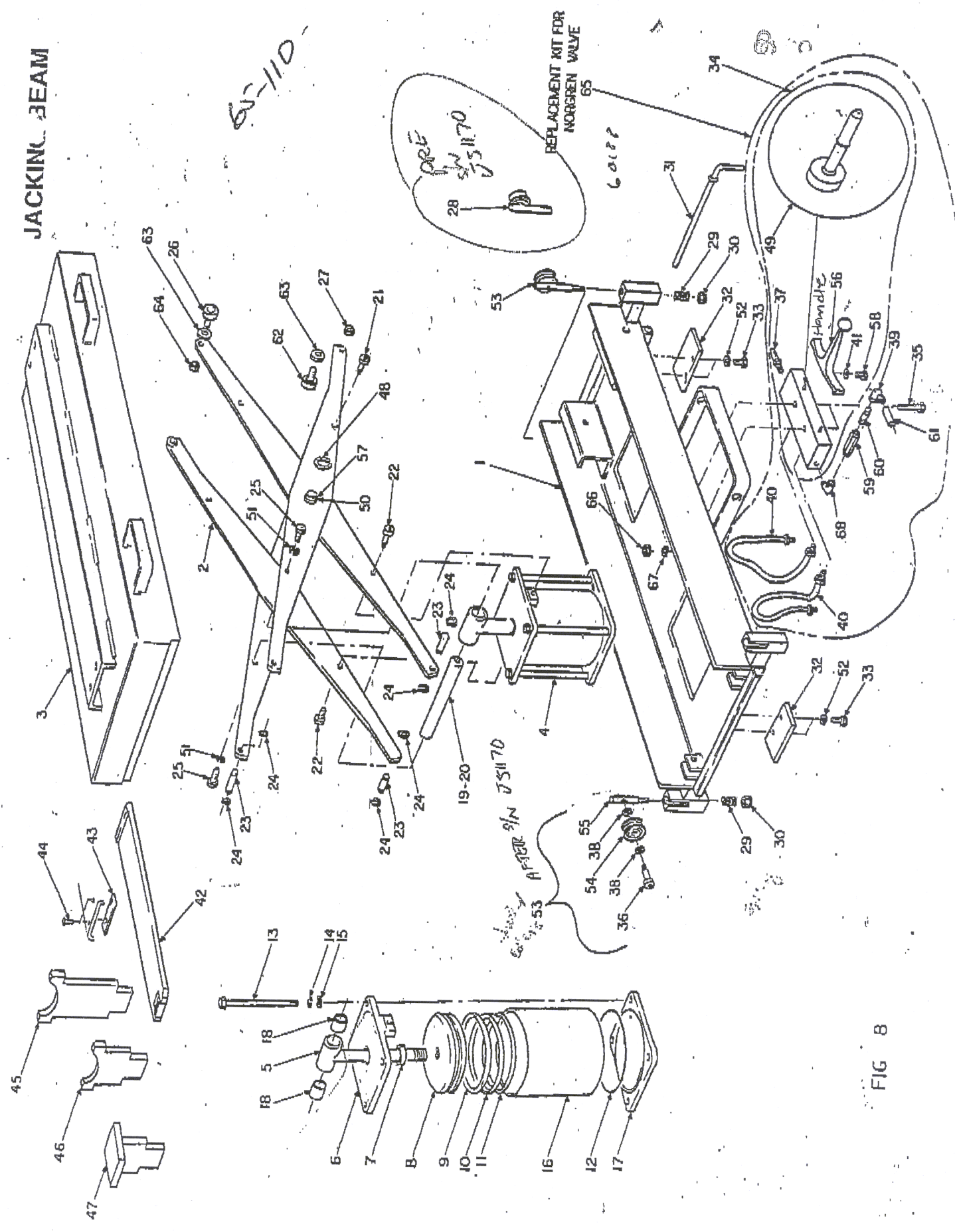


FIG 8

SPACE SAVER, JACKING BEAM ASSEMBLY

PAGE 1

ITEM No.	PART No.	QUANTITY	DESCRIPTION
1	4-0109	1	Bottom Frame Assembly
2	2-0007	1	Scissor Assembly
3	3-0029	1	Top Frame Assembly
4	4-0060	2	Air Cylinder Assembly
4-5	2-0246	1	Piston Rod
4-6	1-0290	1	Top Plate
4-7	6-0317	1	Bronze Bushing
4-8	3-0177	1	Piston
4-9 *	1-0085	1	Felt Strip
4-10 *	6-0103	1	"U" Cup
4-11 *	6-0106	1	Wear Ring
4-12 *	6-0104	1	"O" Ring
4-13	6-0043	4	Hex Bolt, 3/8-16 UNC x 7 1/2
4-14	6-0058	4	Lock Washer, 3/8
4-15	6-0062	4	Plain Washer, 3/8
4-16	1-0041	1	Cylinder Tube
4-17	3-0178	1	Bottom Plate
4-18	6-0085	2	Bronze Bushing
19	1-0036	1	Clevis Pin 8 1/4" lg
20	1-0035	1	Clevis Pin 7" lg
√21	1-0382	2	Shoulder Bolt, 1/2 x 1" lg
√22	1-0381	2	Sholder Bolt, 1/2 x 1/2" lg
23	1-0043	4	Hinge Pin
24	6-0072	8	Retaining Ring
25	6-0046	4	Hex Bolt, 1/2-13 UNC x 1 1/4" lg
26	6-0076	2	Cam Follower, Top
27	6-0040	2	Jam Nut, 5/8 - 18 UNF
28	1-0044	4	Guide Roller Assembly Pre S/N J51170
29	6-0081	4	Spring
30	6-0042	4	Nylok Nut, 3/8-16 UNC
31	1-0045	1	Safety Bar
32	1-0046	2	Keeper
33	6-0030	4	Hex Bolt, 3/8-16 UNC x 3/4" lg
34	3-0158	1	Valve Block Assembly, Replacement for Existing
35	6-0368	2	Hex Bolt, 1/4-20 UNC x 1 3/4" lg
36	6-0206	4	Shoulder Bolt, 3/8 x 1" lg
37	6-0183	1	Exhaust Muffler
38	6-0223	8	Thrust Washer, 3/8
39	6-0015	2	Elbow, 1/4 NPT
40	2-0085	2	Hose Assembly
41	6-0184	1	Washer
42	1-0047	2	Lifting Arm
43	1-0048	2	Stopper Plate
44	6-0441	4	Cap Screw, Buttonhead 1/4-28 UNF x 3/8" lg
45	2-0164	2	Riser Bracket, Tall

(REPLACED BY PART # 1-2750 01323) per BCO # 1066

SPACE SAVER, JACKING BEAM ASSEMBLY

PAGE 2

ITEM No.	PART NO.	QUANTITY	DESCRIPTION
46	2-0163	2	Riser Bracket, Medium
47	2-0264	2	Riser Bracket, Low w/pad
48	6-0329	2	Retaining Ring
49	1-0202	2	Plunger Assembly
50	6-0330	2	Bronze Bushing, 1 1/8 O.D. , 1" I.D.
51	6-0059	4	Lock Washer, 1/2
52	6-0058	4	Lock Washer, 3/8
53	2-0259	4	Roller and Pin Assembly, After S/N J51170
54	2-0098	4	Roller Assembly
55	1-0204	4	Spring Stem
56	3-0013	1	Lever / Rod
57	6-0328	6	Thrust Washer
58	6-0185	1	Shoulder bolt, 5/16 x 1/4" lg
59	6-0189	1	Air Filter
60	6-0214	1	Nipple, 1/4 NPT
61	6-0215	1	Coupling, 1/4 NPT
62	1-0130	2	Cam Follower, Bottom
63	1-0228	4	Spacer
64	6-0038	2	HEX NUT, 5/8 - 18 UNC
65	2-0321	1	Air Valve Kit, Replacement for Norgren
66	6-0032	2	Hex Nut, 1/4 - 20UNC
67	6-0056	2	Lock Washer, 1/4
68	6-0413	1	Elbow 1/4 NPT Brass

* Air Cylinder Seal Kit Part No. 0-0006

6-0188

1

SPRING-(PLUNGER)